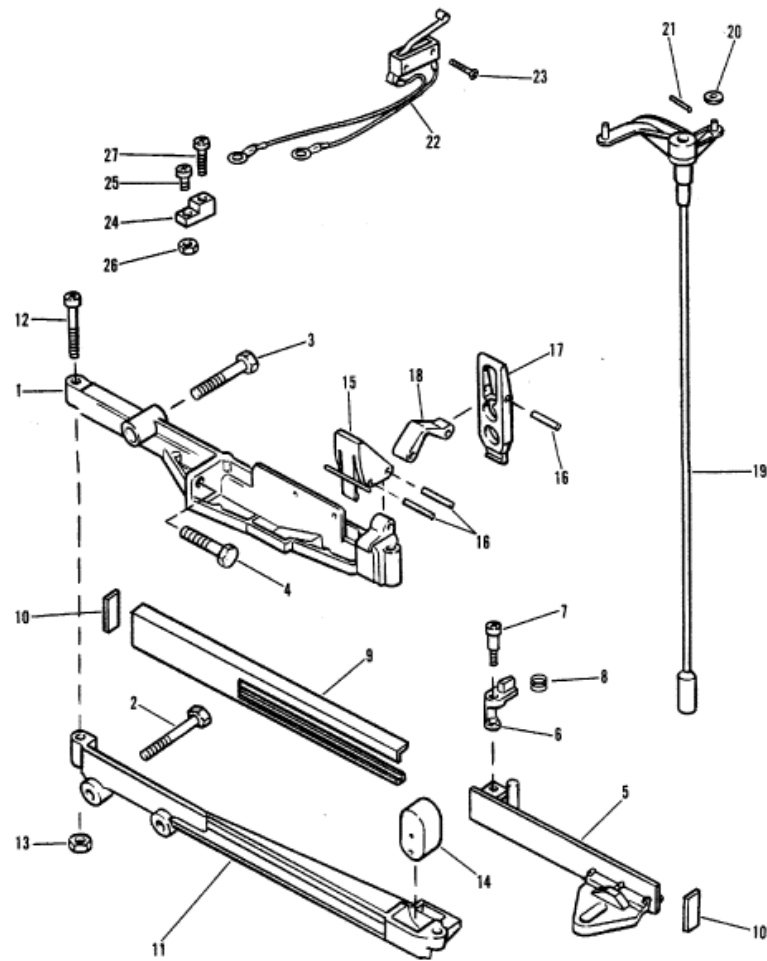


**SHIFT CONTROL LINKAGE**



				Parts List		
Ref	Class	Part	Description	Qty	Comment	Footnote
1		87876	BRACKET, SHIFT ANCHOR - UPP	1		
2	10	73657	SCREW	2	ANCHOR BRACKET TO CYLINDER	
3	10	67450	SCREW	1	ANCHOR BRACKET TO CYLINDER	
4	10	35385	SCREW, BRACKET TO CRANKCASE	1		
5		87874	SLIDE, SHIFT ACUTATING	1		
6		56193	LATCH, SHIFT ACUTATING SLIDE	1		
7	10	39620	SCREW, LATCH TO SHIFT ACTUATOR	1		
8	24	27087	SPRING, COMPRESSION - LATCH	1		
9		75717	SLIDE, NYLON -ANCHOR BRACKET	1		
10		39515	END CAP, NYLON - ANCHOR BRACKET	2		
11		75715	BRACKET, SHIFT ANCHOR - LOWER	1		
12	10	20012	SCREW	2	UPPER BRACKET TO LOWER BRACKET	
13	11	20586	NUT, UPPER ANCHOR BRACKET	2		
14		39519	CUP, RETAINER - ANCHOR BRACKET	1	(SHIFT CABLE BARREL)	
15		39618	LEVER, NYLON - SHIFT CABLE LOWER	1	(UPPER BRACKET)	
16	17	47175	PIN, LOCKING LEVER AND COVER	3		
17		90211	COVER, NYLON - SHIFT CABLE LOWER	1		
18		65799	LINK, LOCKING LEVER TO COVER	1		
19		75104A 7	SHIFT SHAFT ASSEMBLY (SHORT)	1		
19		75104A 8	SHIFT SHAFT ASSEMBLY (LONG)	1		
20	12	37998	WASHER, UPPER SHIFT SHAFT	1		
21	18	27769	COTTER PIN, UPPER SHIFT SHAFT	1		
22	87	88096A 1	SWITCH ASSEMBLY	1	NEUTRAL START FOR USE WITH ELECTRIC TILLER	
23	10	30902	SCREW	2	SWITCH ATTACHING FOR USE WITH ELECTRIC TILLER	
24		45915	TERMINAL BLOCK	1	FOR USE WITH ELECTRIC TILLER	
25	10	25764	SCREW	1	TERMINAL BLOCK ATTACHING FOR USE WITH ELECTRIC TILLER	
26	11	27164	NUT	1	TERMINAL BLOCK SCREW FOR USE WITH ELECTRIC TILLER	
27	10	69079	SCREW	1	SWITCH LEADS TO TERMINAL BLOCK	